

012SX

Four Elements Yagi Antenna

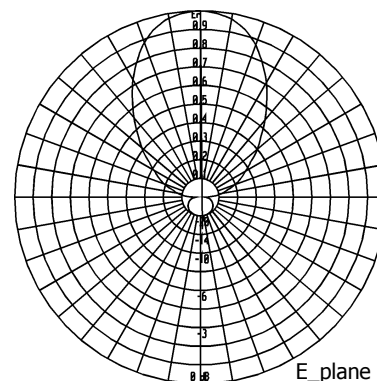
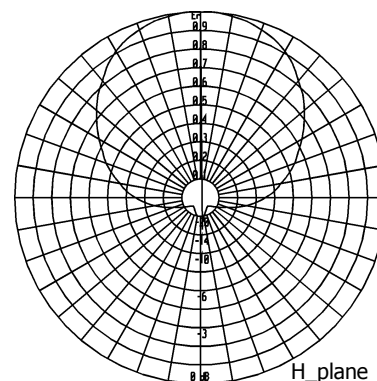
68÷80 MHz

Type	012SX
Frequency	68÷80 MHz
Impedance	50 Ω
V.S.W.R.	< 1.50
Gain	7.5 dBi
HPBW	
E-plane	± 30°
H-plane	± 58°
Front to back	>20dB
Polarization	Horizontal or Vertical
Input connector	N female miter elbow
option 1	7/8" EIA flange miter elbow
option 2	7/16 female miter elbow
Max power	500 W (with N connector)
Survival wind velocity	180 km/h
Wind load at 160 km/h	
Frontal	184 N
Lateral	333 N
Dimensions	207x185x13 cm
Packing type	cardborad box
dimensions	210x15x13 cm
Net weight	10.5 kg
Gross weight	13.5 kg



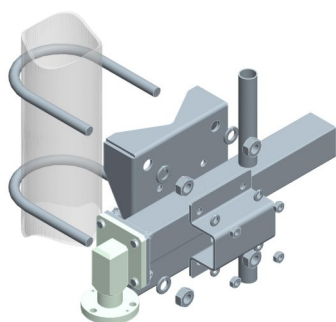
This antenna is dismountable and is shipped completely disassembled

RADIATION PATTERN



External structures are made of stainless steel as well as nuts and screws. All metallic parts are connected to the ground. Each antenna is sealed and pressurisable.

Input connector is nickel plated while internal lines are made of silver plated brass. The revolving miter elbow can be oriented to make the feeder connection easier



MOUNTING SYSTEM

The antenna is supplied with pipe mount for both horizontal and vertical polarization.

Standard option for pole:
Ø 60÷114 mm

These directive antennas can be used in vertical or horizontal polarization to set up systems having directive, semidirective and omnidirectional diagrams.