

# BAN0109BV

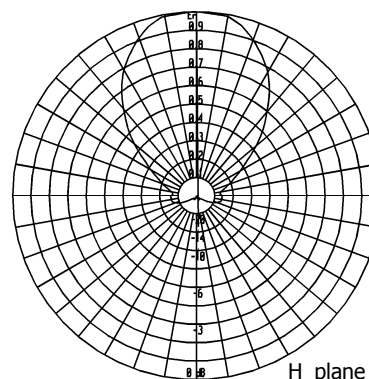
90° - pol.V  
Four Dipoles Panel

470÷860 MHz

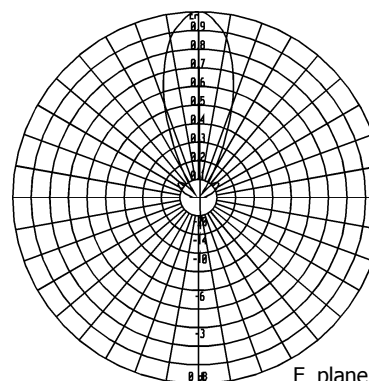
Type	BAN0109BV
Frequency	470÷860 MHz
Impedance	50 Ω
V.S.W.R.	< 1.12
Gain	10.8 dBd
HPBW	
E-plane	± 14°
H-plane	± 30°
Polarization	Vertical
Input connector	7/8" EIA flange miter elbow
option 1	N female miter elbow
option 2	7/16" miter elbow
Max power	1.5 kW with 7/8" EIA flange
Survival wind velocity	200 km/h
Wind load at 160 km/h	730 N
Dimensions	97x47x22.5 cm
Packing type	cardboard box
dimensions	102x52x32 cm
Net weight	11 kg
Gross weight	13.5 kg



### RADIATION PATTERN



H\_plane

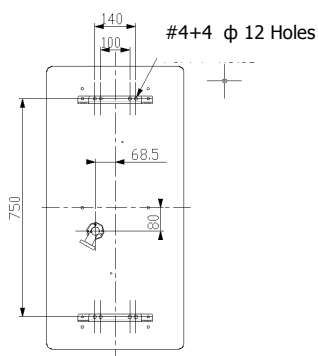


E\_plane

Panels reflector are made of stainless steel as well as nuts and screws. All metallic parts are connected to the ground.

The passivated brass dipoles and feeding lines are completely protected by a backed fibreglass radome; standard color Gray (different colors available on request).

The input connector is a revolving miter elbow. It can be oriented to make the feeder connection easier.



### MOUNTING SYSTEM

On frame according to the mounting lay-out beside.

Pole mount available on request.

This panel can be used in vertical polarization to set up systems having directive, semidirective and omnidirectional diagrams.

Systems made up with 0109BV panels can be designed on customer specifications.