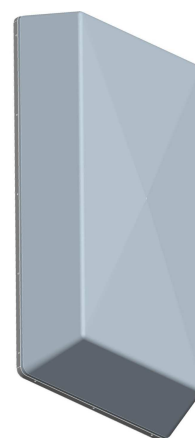


# BAN0113HS

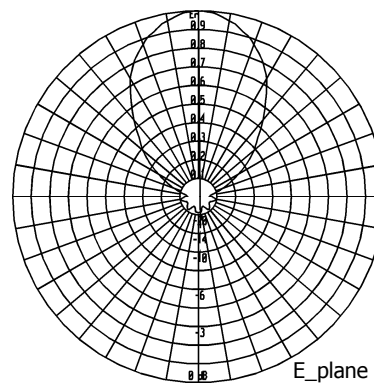
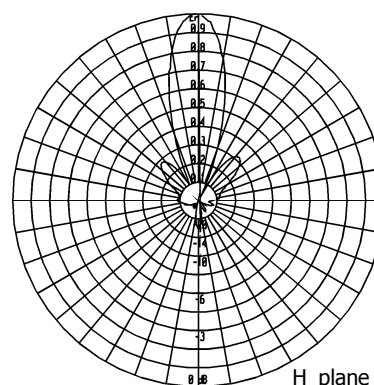
**Four Dipoles  
Panel Antenna**

**400÷470 MHz**

Type	BAN0113HS
Frequency	400÷470 MHz
Impedance	50 Ω
V.S.W.R.	≤ 1.20
Gain	12.0 dBi
HPBW	
E-plane	± 31°
H-plane	± 18°
Polarization	Horizontal
Input connector	7/8" EIA flange miter elbow
option 1	N female
Max power	500 W
Survival wind velocity	180 km/h
Wind load at 160 km/h	730 N
Dimensions	97x47x22 cm
Packing type	Cardboard box
dimensions	105x52x34 cm
Net weight	11.5 kg
Gross weight	13 kg



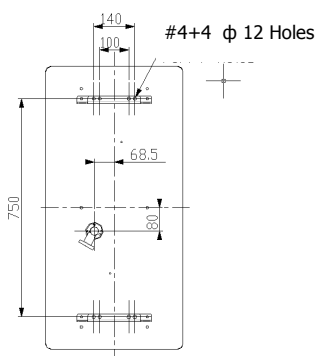
### RADIATION PATTERN



Panel reflector are made of stainless steel as well as nuts and screws. All metallic parts are connected to the ground.

Brass dipoles and passivated brass feeding lines are completely protected by a backed fibreglass radome; standard colour Gray (different colours available on request).

The input connector is a revolving miter elbow. It can be oriented to make the feeder connection easier. As option the 7/8" EIA flange connector can be supplied with gas Barrier.



### MOUNTING SYSTEM

On frame according to the mounting lay-out beside.

Pole mount available on request.

This panel can be used in horizontal polarization to set up systems having directive, semidirective and omnidirectional diagrams.

Systems made up with 0113HS panels can be designed on customer specifications.