

BAN0209A

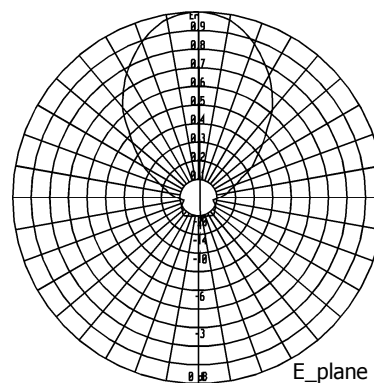
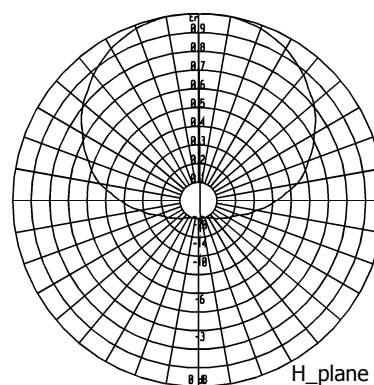
Four Elements
Yagi Antenna

87.5÷108 MHz

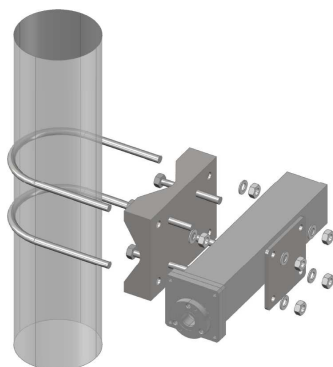
Type	BAN0209A
Frequency	87.5÷108 MHz
Impedance	50 Ω
V.S.W.R.	< 1.20
Gain	5.5 dBd
HPBW	
E-plane	± 32.5°
H-plane	± 61°
Polarization	Vertical or Horizontal
Input connector	7/8" EIA
Max power	5 kW
Survival wind velocity	200 km/h
Wind load at 160 km/h	
Frontal	172 N
Lateral	312 N
Dimensions	168x145x8 cm
Packing type	cardboard box
dimensions	170x150x13 cm
Net weight	13 kg
Gross weight	16 kg



RADIATION PATTERN



External structures are made of stainless steel as well as nuts and screws.
 All metallic parts are connected to the ground.
 Each antenna is sealed and pressurisable.
 Input connector is nickel plated while internal lines are made of silver plated brass.



MOUNTING SYSTEM

The antenna is supplied with pipe mount for both horizontal and vertical polarization.
 Standard option for pole:
 Ø 60÷114 mm

These directive antennas can be used in vertical or horizontal polarization to set up systems having directive, semidirective and omnidirectional diagrams.