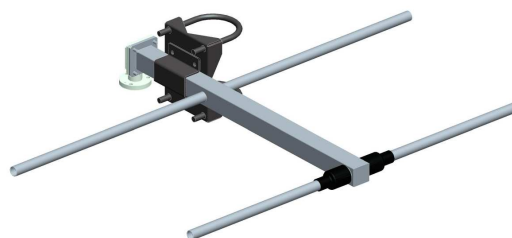


# BAN0264A

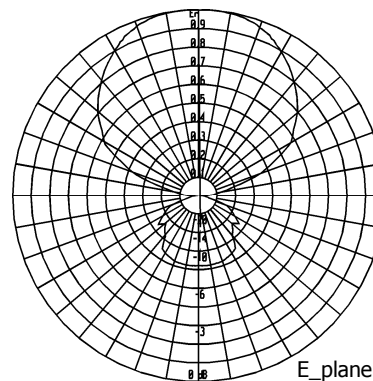
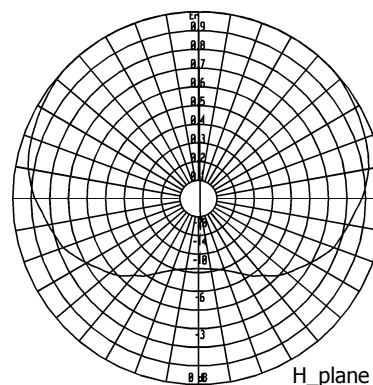
Two Elements  
Antenna

215÷242 MHz

Type	BAN0264A
Frequency	215÷242 MHz
Impedance	50 Ω
V.S.W.R.	< 1.25
Gain	3 dBd
HPBW	
E-plane	± 36°
H-plane	± 120°
Polarization	Vertical or Horizontal
Input connector	7/8" EIA flange miter elbow
Max power	2 kW
Survival wind velocity	180 km/h
Wind load at 160 km/h	
Frontal	40 N
Lateral	105 N
Dimensions	85x70x6 cm
Packing type	cardboard box
dimensions	88x73x7 cm
Net weight	3.5 kg
Gross weight	5 kg



### RADIATION PATTERN

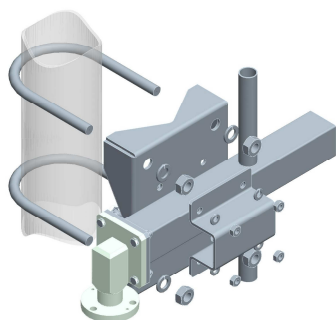


External structures are made of stainless steel as well as nuts and screws.

All metallic parts are connected to the ground.

Each antenna is sealed and pressurisable.

Input connector is nickel plated while internal lines are made of silver plated brass.  
The revolving miter elbow can be oriented to make the feeder connection easier



### MOUNTING SYSTEM

The antenna is supplied with pipe mount for both horizontal and vertical polarization.

Standard option for pole:  
Ø 60÷114 mm

These directive antennas can be used in vertical or horizontal polarization to set up systems having directive, semidirective and omnidirectional diagrams.