

# BAN033FX BL

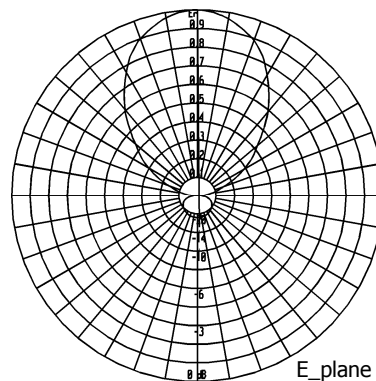
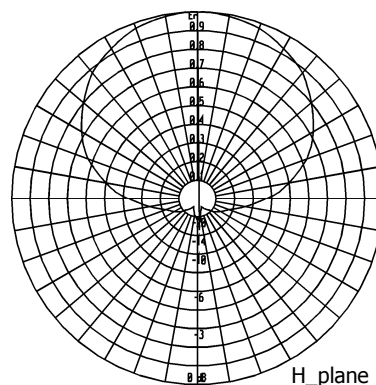
**Four Elements  
Wide Band Yagi Antenna**

**174÷223 MHz**

Type	BAN033FX BL
Frequency [MHz]	174÷223
Impedance	50 Ω
V.S.W.R.	< 1.20
Gain	5.2 dBd
HPBW	
E-plane	± 32°
H-plane	± 53°
Polarization	Vertical or Horizontal
Input connector	7/8" EIA flange miter elbow
option 1	N female miter elbow
option 2	7/16 miter elbow
Max power	2 kW with 7/8" EIA flange
Survival wind velocity	200 km/h
Wind load at 160 km/h	
Frontal	57 N
Lateral	125 N
Dimensions	84x84x5 cm
Packing type	cardboard box
dimensions	86x86x7 cm
Net weight	3.8 kg
Gross weight	5.8 kg

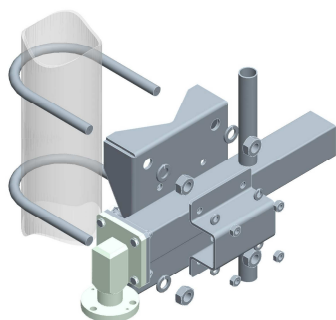


### RADIATION PATTERN



External structures are made of stainless steel as well as nuts and screws. All metallic parts are connected to the ground. Each antenna is sealed and pressurisable.

Input connector is nickel plated while internal lines are made of silver plated brass. The revolving miter elbow can be oriented to make the feeder connection easier



### MOUNTING SYSTEM

The antenna is supplied with pipe mount for both horizontal and vertical polarization.

Standard option for pole:  
Ø 60÷114 mm

These directive antennas can be used in vertical or horizontal polarization to set up systems having directive, semidirective and omnidirectional diagrams.