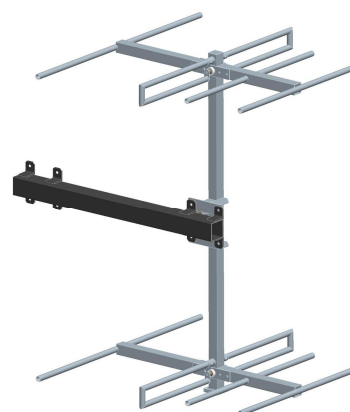


BAN036..SXB

4+4 Elements double Yagi Antenna

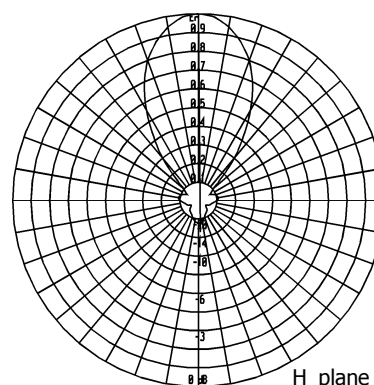
174÷230 MHz

Type	BAN 036ASXA	BAN 036BSXA	BAN 036CSXA
Frequency [MHz]	174÷190	191÷207	209÷230
Impedance	50 Ω		
V.S.W.R.	≤ 1.10		
Gain	7.5 dBd		
HPBW			
E-plane	± 32°		
H-plane	± 25°		
Polarization	Horizontal or Vertical		
Input connector	7/8" EIA flange miter elbow		
option 1	N female miter elbow		
option 2	7/16 miter elbow		
Max power	2 kW with 7/8" EIA flange		
Survival wind velocity	180 km/h		
Wind load at 160 km/h			
Frontal [N]	202	188	176
Lateral [N]	231	228	200
Dimensions [cm]	113x82x74	105x77x77	98x72x65
Packing type	cardboard box		
dimensions	115x83x20 cm		
Net weight [kg]	14.5	13.5	12.5
Gross weight [kg]	16.5	15.5	14.5

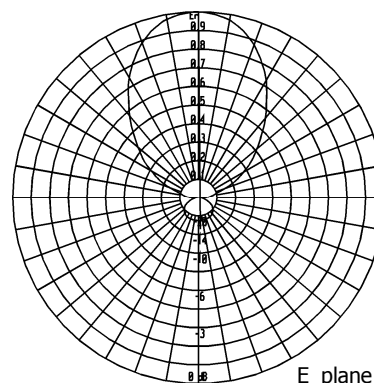


This antenna is dismantlable and is shipped completely disassembled.

RADIATION PATTERN



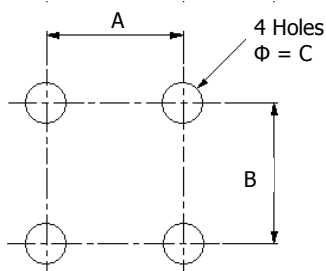
H_plane



E_plane

External structures are made of stainless steel as well as nuts and screws. All metallic parts are connected to the ground. Each antenna is sealed and pressurisable.

Input connector is nickel plated while internal lines are made of silver plated brass. The revolving miter elbow can be oriented to make the feeder connection easier



MOUNTING SYSTEM

On frame according to the mounting lay-out beside, where:

A = 110 mm

B = 110 mm

C = 9 mm

Pole mount available on request.