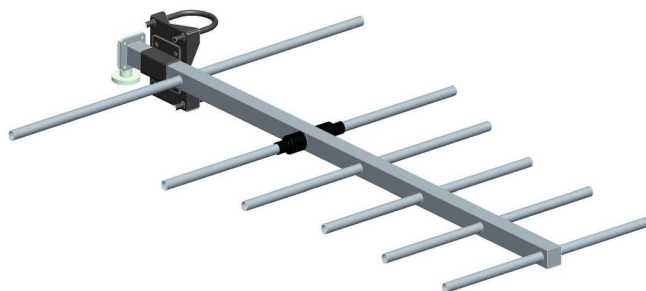


BAN039..FXB

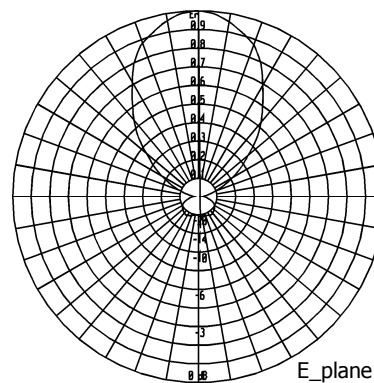
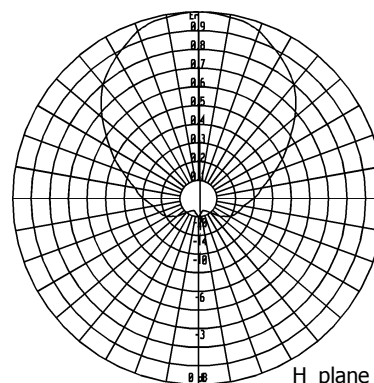
Six Elements Yagi Antenna

174÷230 MHz

Type	BAN039AFXB	BAN039BFXB
Frequency [MHz]	174÷216	216÷230
Impedance	50 Ω	
V.S.W.R.	<1.35	
Gain	8 dBd	
HPBW		
E-plane	± 23°	
H-plane	± 40°	
Polarization	Vertical or Horizontal	
Input connector	7/8" EIA flange miter elbow	
option 1	N female miter elbow	
option 2	7/16 miter elbow	
Max power	2 kW with 7/8" EIA flange	
Survival wind velocity	200 km/h	
Wind load at 160 km/h		
Frontal	138 N	
Lateral	210 N	
Dimensions	135x88x6 cm	
Packing type	cardboard box	
dimensions	140x90x7 cm	
Net weight	4.2 kg	
Gross weight	7.2 kg	

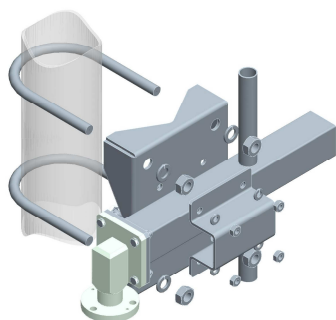


RADIATION PATTERN



External structures are made of stainless steel as well as nuts and screws. All metallic parts are connected to the ground. Each antenna is sealed and pressurisable.

Input connector is nickel plated while internal lines are made of silver plated brass. The revolving miter elbow can be oriented to make the feeder connection easier



MOUNTING SYSTEM

The antenna is supplied with pipe mount for both horizontal and vertical polarization.

Standard option for pole:
Ø 60÷114 mm

These directive antennas can be used in vertical or horizontal polarization to set up systems having directive, semidirective and omnidirectional diagrams.