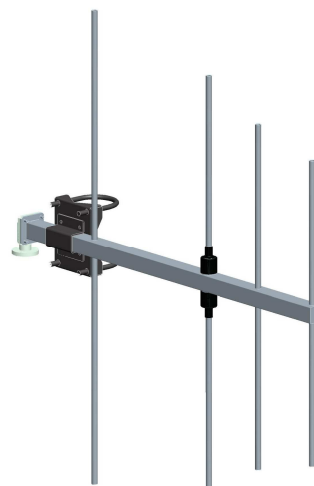


# BAN053SX

**Four Elements  
Yagi Antenna**

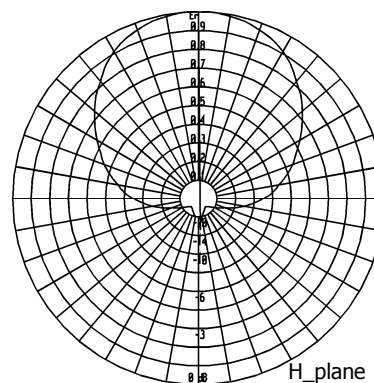
**87.5÷108 MHz**

Type	BAN053SX
Frequency	87.5÷108 MHz
Impedance	50 Ω
V.S.W.R.	< 1.40 for better values specify operating band
Gain	5.5 dBd
HPBW	
E-plane	± 31°
H-plane	± 52°
Polarization	Horizontal or Vertical
Input connector	7/8" EIA flange miter elbow
option 1	N female miter elbow
option 2	7/16 miter elbow
Max power	1 KW with 7/8" EIA flange
Survival wind velocity	150 km/h
Wind load at 160 km/h	
Frontal	75 N
Lateral	155 N
Dimensions	170x165x6 cm
Packing type	cardborad box
dimensions	175x12x7 cm
Net weight	5.5 kg
Gross weight	6.5 kg

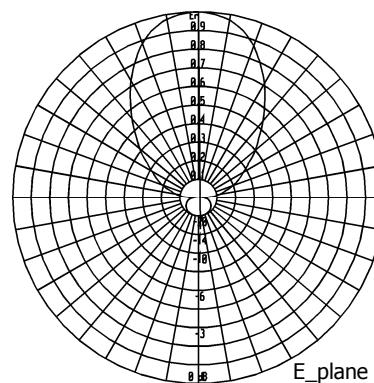


Dipoles and passive elements can be fully disassembled.

### RADIATION PATTERN



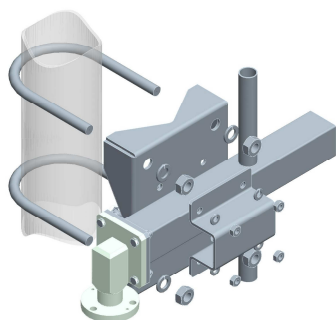
H\_plane



E\_plane

External structures are made of stainless steel as well as nuts and screws. All metallic parts are connected to the ground. Each antenna is sealed and pressurisable.

Input connector is nickel plated while internal lines are made of silver plated brass. The revolving miter elbow can be oriented to make the feeder connection easier



### MOUNTING SYSTEM

The antenna is supplied with pipe mount for both horizontal and vertical polarization.

Standard option for pole:  
Ø 60÷114 mm

These directive antennas can be used in vertical or horizontal polarization to set up systems having directive, semidirective and omnidirectional diagrams.