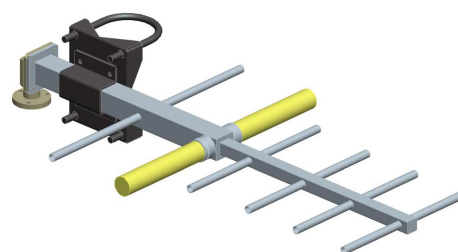


# BAN05FX

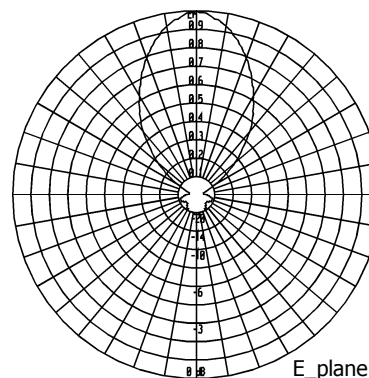
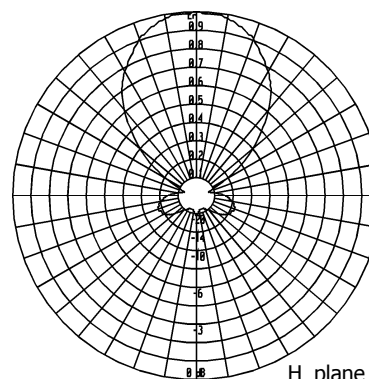
Six Elements  
Yagi Antenna

360÷470 MHz

Type	BAN05CFX	BAN05BFX	BAN05AFX
Frequency [MHz]	360÷400	400÷435	435÷470
Impedance		50 Ω	
V.S.W.R.		≤ 1.4	
Gain		9 dBi	
HPBW			
E-plane		± 26°	
H-plane		± 38°	
Polarization		Horizontal or Vertical	
Input connector		N female miter elbow	
option 1		7/8" EIA flange miter elbow	
option 2		7/16 miter elbow	
Max power		300 W	
Survival wind velocity		180 km/h	
Wind load at 160 km/h			
Frontal [N]	47	42	40
Lateral [N]	128	118	110
Dimensions [cm]	84x48x6	79x42x6	75x39x6
Packing type		cardboard box	
dimensions		100x45x7 cm	
Net weight [kg]	3.4	3.1	2.8
Gross weight [kg]	4.9	4.6	4.3

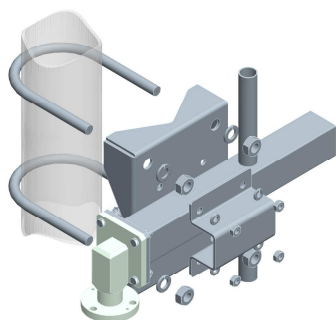


### RADIATION PATTERN



This waterproof yagi antenna is made of stainless steel as well as nuts and screws. Dipole are protected by a fiberglass radome completely sealed. All metallic parts are connected to the ground.

Input connector is nickel plated while internal lines are made of silver plated brass. The revolving miter elbow can be oriented to make the feeder connection easier



### MOUNTING SYSTEM

The antenna is supplied with pipe mount for both horizontal and vertical polarization.

Standard option for pole:  
Ø 60÷114 mm