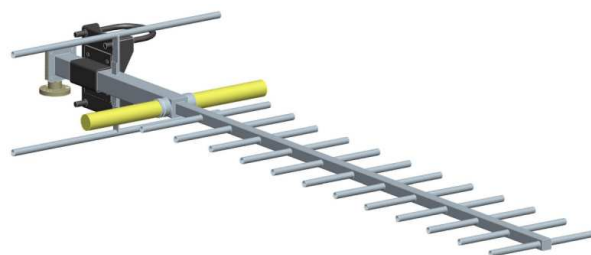


BAN086FX

Fourteen Elements
Yagi Antenna

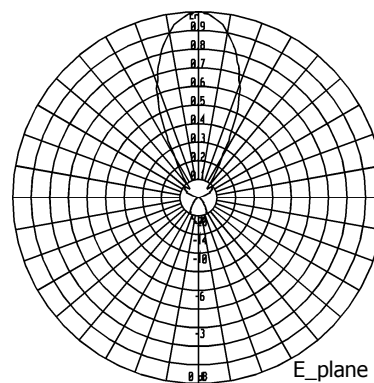
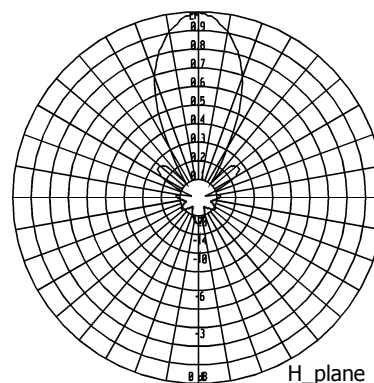
360÷470 MHz

Type	BAN086CFX	BAN086BFX	BAN086AFX
Frequency [MHz]	360÷400	400÷435	435÷470
Impedance		50 Ω	
V.S.W.R.		≤ 1.4	
Gain		12 dBi	
HPBW			
E-plane		± 18°	
H-plane		± 20°	
Polarization		Horizontal or Vertical	
Input connector		N female miter elbow	
option 1		7/8" EIA flange miter elbow	
option 2		7/16 miter elbow	
Max power		300 W	
Survival wind velocity		180 km/h	
Wind load at 160 km/h			
Frontal [N]	80	80	80
Lateral [N]	238	235	223
Dimensions [cm]	165x50x20	162x50x20	149x50x20
Packing type		cardboard box	
dimensions [cm]	170x55x7	170x55x7	150x52x7
Net weight [kg]	5	4.7	4.5
Gross weight [kg]	7.3	7	6.5



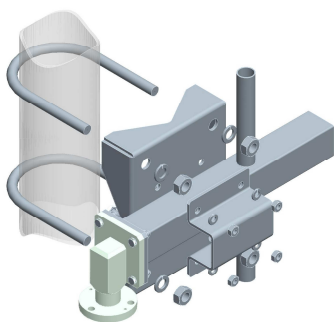
This antenna is provided with a double reflector foldable

RADIATION PATTERN



This waterproof yagi antenna is made of stainless steel as well as nuts and screws. Dipole are protected by a fibreglass radome completely sealed. All metallic parts are connected to the ground.

Input connector is nickel plated while internal lines are made of silver plated brass. The revolving miter elbow can be oriented to make the feeder connection easier



MOUNTING SYSTEM

The antenna is supplied with pipe mount for both horizontal and vertical polarization.

Standard option for pole:
Ø 60÷114 mm