

BAN092E

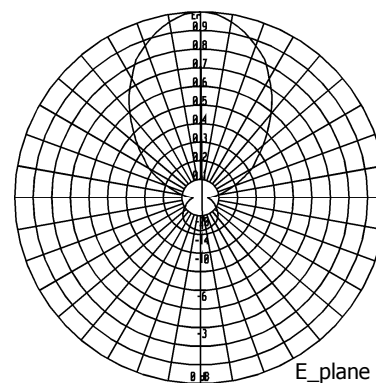
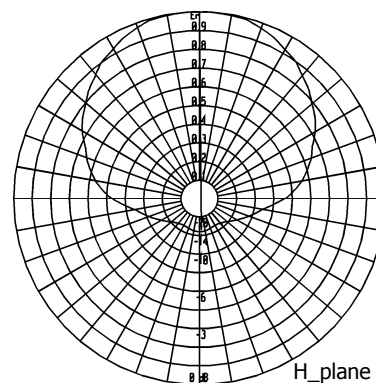
Three Elements
Yagi Antenna

87.5÷108 MHz

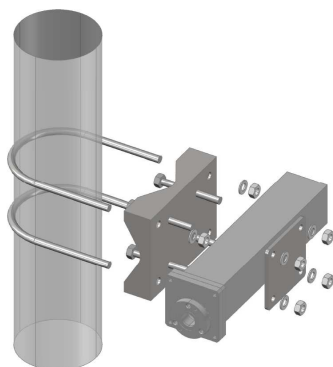
Type	BAN092E
Frequency	87.5÷108 MHz
Impedance	50 Ω
V.S.W.R.	< 1.20 for better values specify operating band
Gain	4.5 dBd
HPBW	
E-plane	± 34°
H-plane	± 61°
Polarization	Horizontal or Vertical
Input connector	7/8" EIA flange
Max power	5 KW
Survival wind velocity	200 km/h
Wind load at 160 km/h	
Frontal	64 N
Lateral	135 N
Dimensions	133x173x8 cm
Packing type	cardboard box
dimensions	183x135x14 cm
Net weight	12 kg
Gross weight	14.5 kg



RADIATION PATTERN



External structures are made of stainless steel as well as nuts and screws.
All metallic parts are connected to the ground.
Each antenna is sealed and pressurisable.
Input connector is nickel plated while internal lines are made of silver plated brass.



MOUNTING SYSTEM

The antenna is supplied with pipe mount for both horizontal and vertical polarization.
Standard option for pole:
Ø 60÷114 mm

These directive antennas can be used in vertical or horizontal polarization to set up systems having directive, semidirective and omnidirectional diagrams.