

BAN 092SX..FX

Three Elements Yagi Antenna

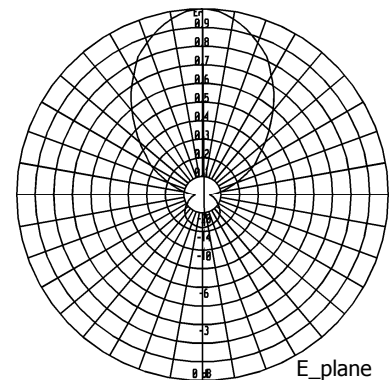
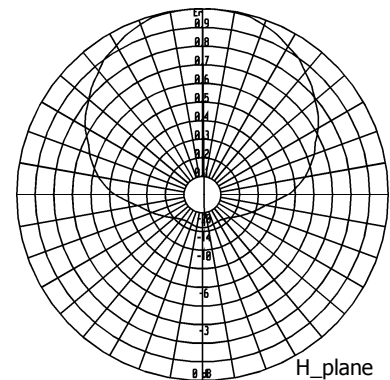
87.5÷108 MHz

Type	BAN 092FX..SX
Frequency	87.5÷108 MHz
Impedance	50 Ω
V.S.W.R.	< 1.40 for better values specify operating band
Gain	4.5 dBd
HPBW	
E-plane	± 34°
H-plane	± 61°
Front to back	> 15 dB
Polarization	Horizontal or Vertical
Input connector (Max Power)	7/8" EIA flange (3 kW)
option 1	N female (1 kW)
option 2	7/16 (2 kW)
Survival wind velocity	160 km/h
Wind load at 160 km/h	
Frontal	64 N
Lateral	135 N
Dimensions	127x185x6 cm
Packing type	cardboard box
dimensions	SX 130x12x7 cm; FX 130x195x7 cm
Net weight	4.6 kg
Gross weight	5.5 kg



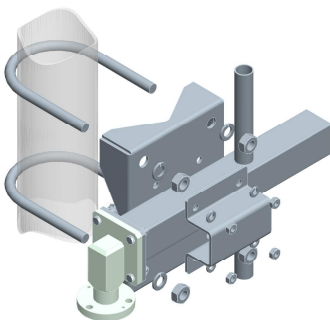
092SX has dipoles and passive elements fully dismountable

RADIATION PATTERN



External structures are made of stainless steel as well as nuts and screws. All metallic parts are connected to the ground. Each antenna is sealed and pressurisable.

Input connector is nickel plated while internal lines are made of silver plated brass.



MOUNTING SYSTEM

The antenna is supplied with pipe mount for both horizontal and vertical polarization.

Standard option for pole:
∅ 60÷114 mm

These directive antennas can be used in vertical or horizontal polarization to set up systems having directive, semidirective and omnidirectional diagrams.